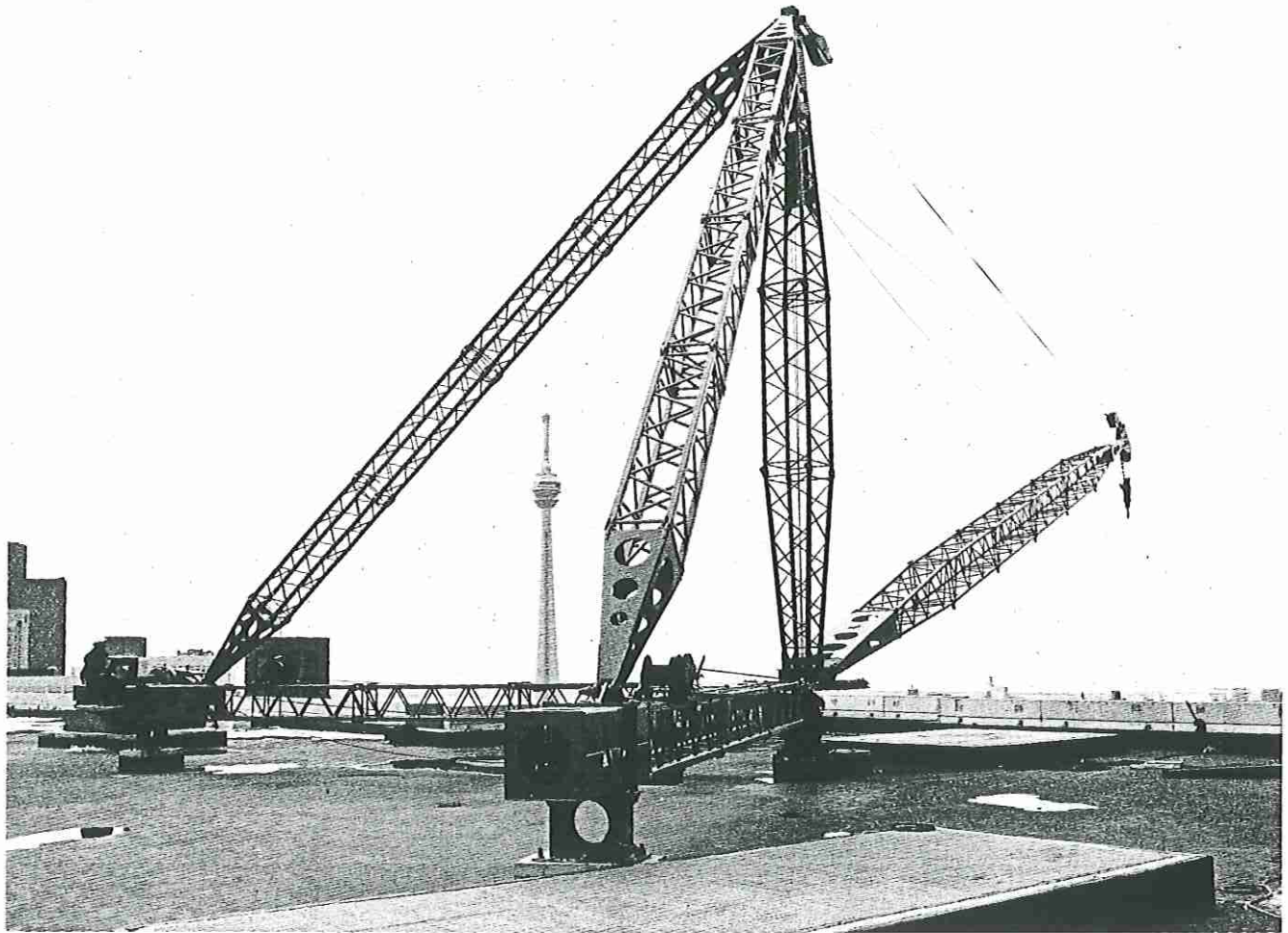


CONSTRUCTION AND MINING EQUIPMENT

Portable Derricks

stiffleg and guy line types
capacities to 35 tons



Timberland Portable Derricks are designed for simple assembly and disassembly. The modular components can easily be converted into stiffleg or guy line derricks and Chicago boom. (Extra components may be required.)

STRUCTURE: The structural components are fabricated from light, high tensile steel square tubing. Mast and boom as well as leg and sill straight sections are interchangeable and are made in standard 8'4" lengths, pin hole to pin hole. All sections are connected together with quick release pins. The mast rotates on two self aligning bearings mounted on a common steel housing.

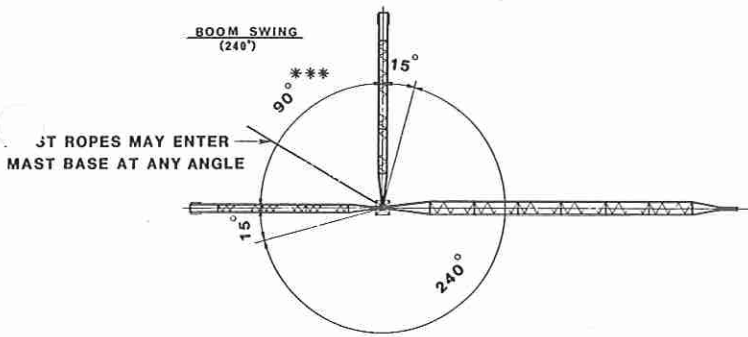
SWINGER: Derrick swinger is available with electric or electro-hydraulic power pack. A manually operated swinger is available for the 12 and 17 ton derricks only.

MAST BASE: Unique design allows the positioning of the base mounted sheaves to face the incoming hoist lines at almost any horizontal angle.

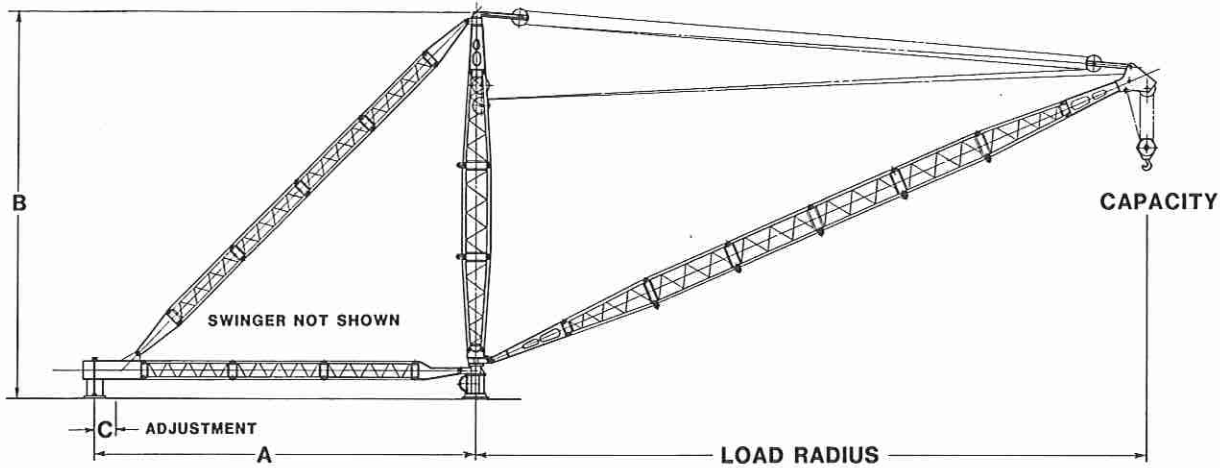
SHEAVES: All sheaves rotate on antifriction roller bearings.

Approximate Weight (lbs.) Straight Sections

Derrick Model	Mast and Boom Sections	Leg and Sill Sections
SD12 GD12	320	250
SD17 GD17	335	290
SD25 GD25	480	380
SD35 GD35	600	500



JT ROPES MAY ENTER
MAST BASE AT ANY ANGLE



PORTABLE STIFF LEG DERRICK RATINGS TONS**

Derrick Model Number	Boom Length	Load Radius Ft.									"A"	"B"	"C"	Rigging
		15	20	30	40	50	60	70	80	90				
SD12-65	65'0"	*12.0	12.0	12.0	12.0	11.0	9.0	—	—	—	33'9"	35'0"	1'5"	Load Line 4 Parts 6800 lbs. Pull Boom Line 6 Parts 6800 lbs. Pull
SD12-75	73'4"	12.0	12.0	11.5	11.0	10.0	8.0	7.0	—	—				
SD12-80	81'8"	11.0	10.5	10.0	9.0	8.0	7.0	6.0	5.0	—				
SD12-90	90'0"	8.5	8.0	7.5	7.0	6.5	6.0	5.5	5.0	4.5				
SD17-65	65'0"	*17.0	17.0	17.0	17.0	16.0	12.5	—	—	—	33'9"	35'0"	1'5"	Load Line 4 Parts 9500 lbs. Pull Boom Line 7 Parts 8200 lbs. Pull
SD17-75	73'4"	16.0	16.0	16.0	15.0	14.0	12.0	11.0	—	—				
SD17-80	81'8"	13.5	13.0	12.5	12.0	11.5	11.0	10.0	—	—				
SD17-90	90'0"	11.0	10.0	10.0	9.0	8.5	8.0	8.0	7.5	—				
SD17-100	98'4"	—	8.0	7.5	7.0	7.0	6.5	6.0	5.8	5.7				
SD25-65	65'0"	25.0	25.0	25.0	25.0	21.5	17.5	—	—	—	33'5"	35'3"	2'0"	Load Line 8 Parts 7400 lbs. Pull Boom Line 8 Parts 14000 lbs. Pull
SD25-75	73'4"	25.0	25.0	25.0	25.0	21.0	17.5	15.5	—	—				
SD25-80	81'8"	25.0	25.0	24.0	23.0	21.0	17.0	14.5	—	—				
SD25-90	90'0"	—	20.5	19.0	18.0	17.5	17.0	14.5	12.0	—				
SD25-100	98'4"	—	17.0	16.0	15.0	14.0	13.0	12.0	11.5	10.0				
SD35-65	65'0"	35.0	35.0	35.0	35.0	32.0	27.0	—	—	—	33'5"	35'3"	2'0"	Load Line 8 Parts 9800 lbs. Pull Boom Line 10 Parts 15000 lbs. Pull
SD35-75	73'4"	35.0	35.0	34.0	32.0	29.0	26.0	24.0	—	—				
SD35-80	81'8"	32.0	31.0	30.0	29.0	27.0	25.0	23.0	—	—				
SD35-90	90'0"	—	26.0	25.0	24.0	23.0	21.0	20.0	19.0	—				
SD35-100	98'4"	—	23.0	21.0	20.0	19.0	18.0	17.0	16.0	15.0				

*Minimum working radius 10 ft.

**All load rating tables are gross capacities.

All tackle weight, slings, etc. must be deducted for net capacities.
or legs and sill contained angle other than 90° contact factory.

Specifications subject to change without notice.

TIMBERLAND EQUIPMENT LIMITED

P.O. Box 490, 459 Industrial Avenue
Woodstock, Ontario, Canada N4S 7Z2
Tel. (519) 537-6262 Telex 064-74133 Fax (519) 539-5853



**Our people care . . .
our equipment is the proof**