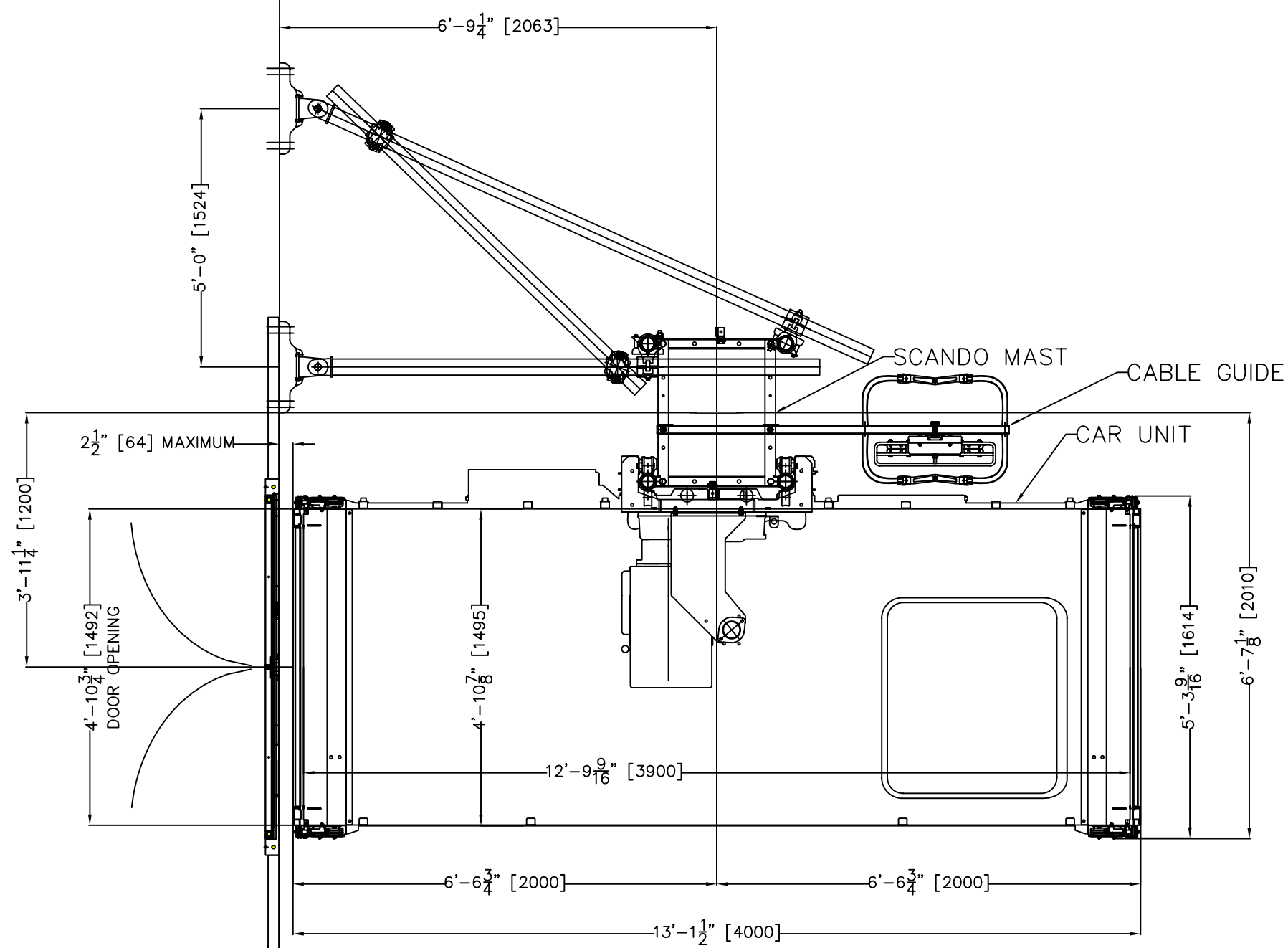
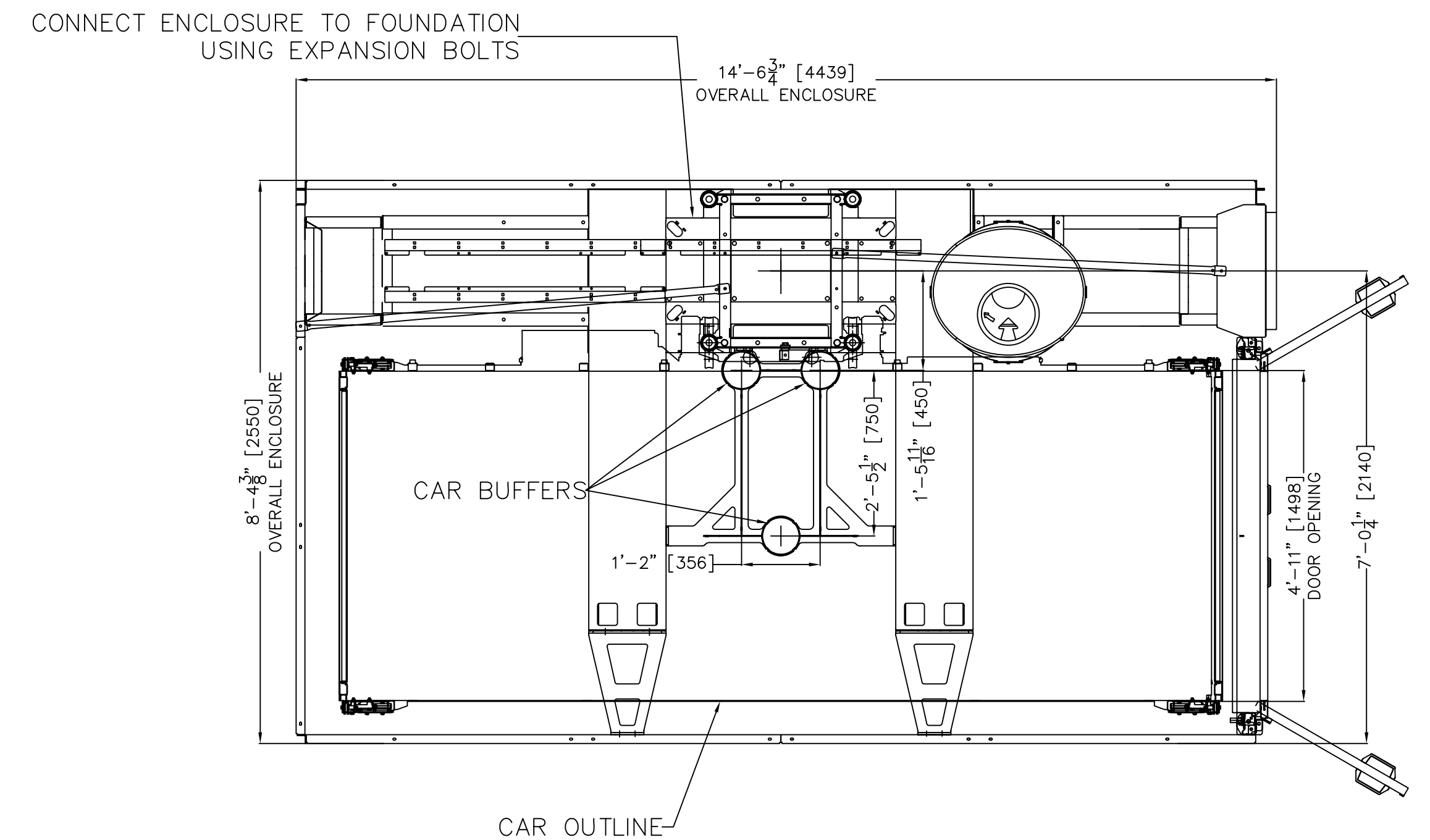


ELEVATION VIEW



PLAN AT LANDINGS

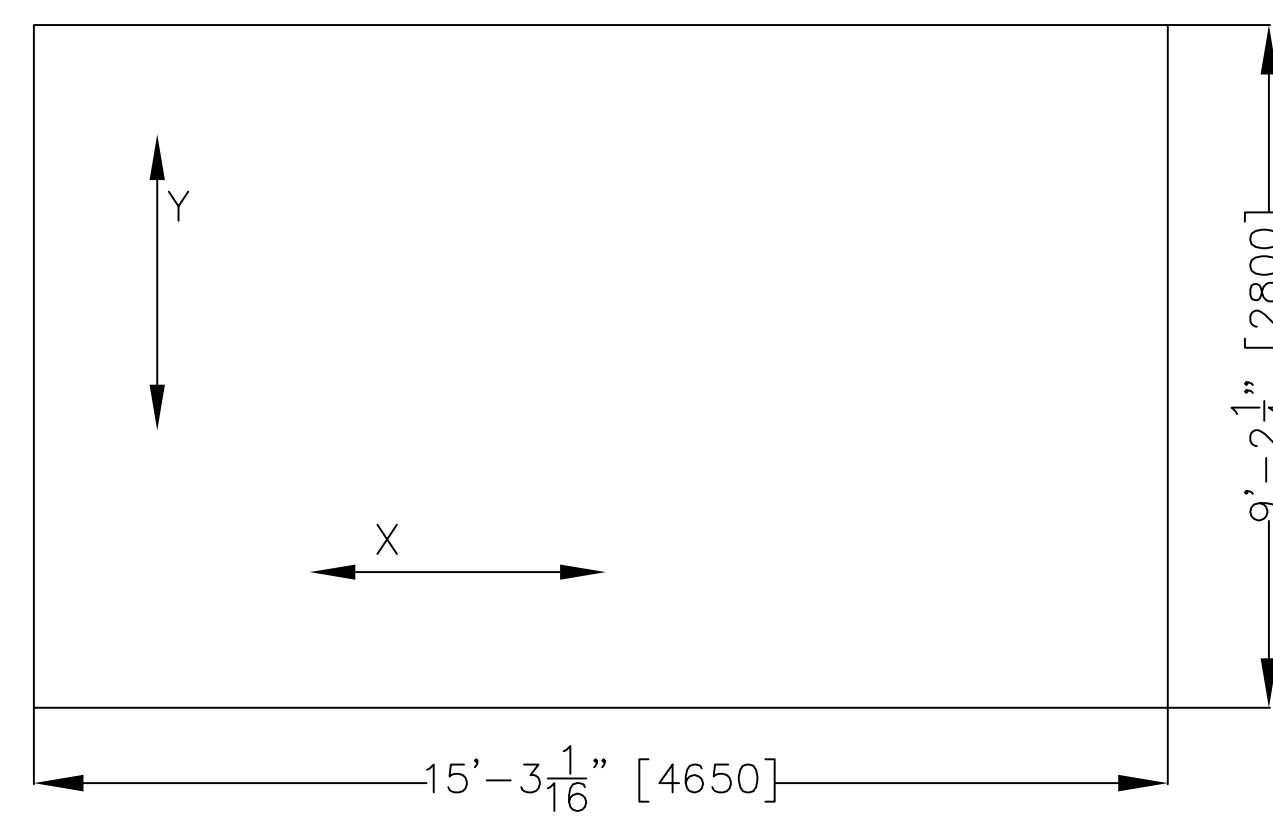
INTERNAL CAR DIMENSIONS: 4'-10 7/8"W X 12'-9 9/16"L X 7'-6 1/2"H



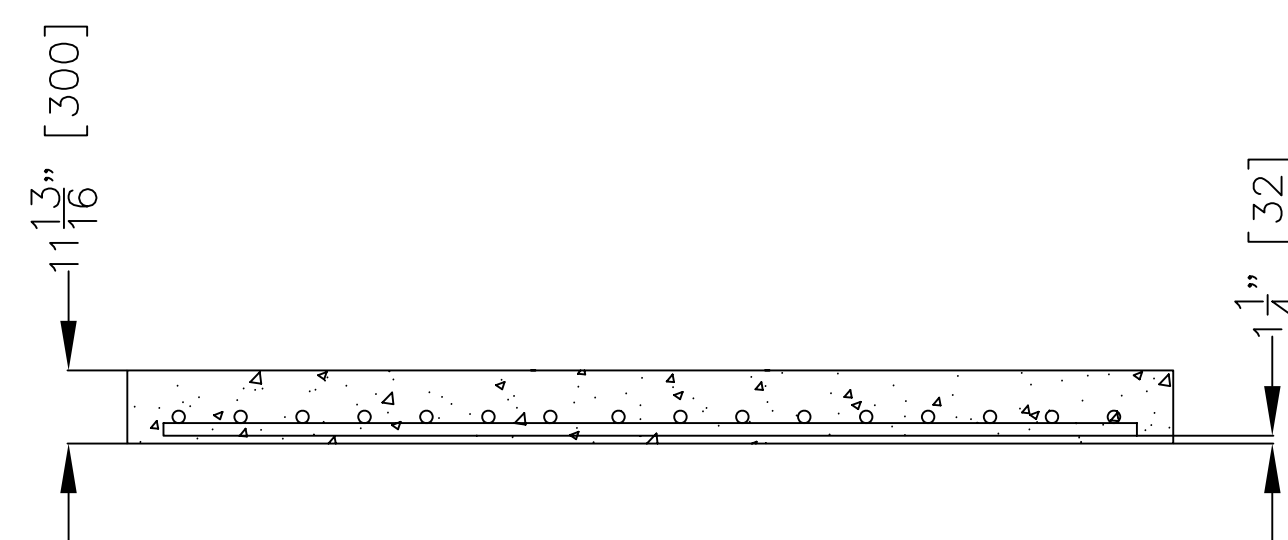
PLAN AT BASE

MINIMUM FOUNDATION REINFORCEMENT REQUIREMENTS

X - X  
#5 REBAR AT 10" C/C  
Y - Y  
#5 REBAR AT 7" C/C  
3625 PSI CONCRETE

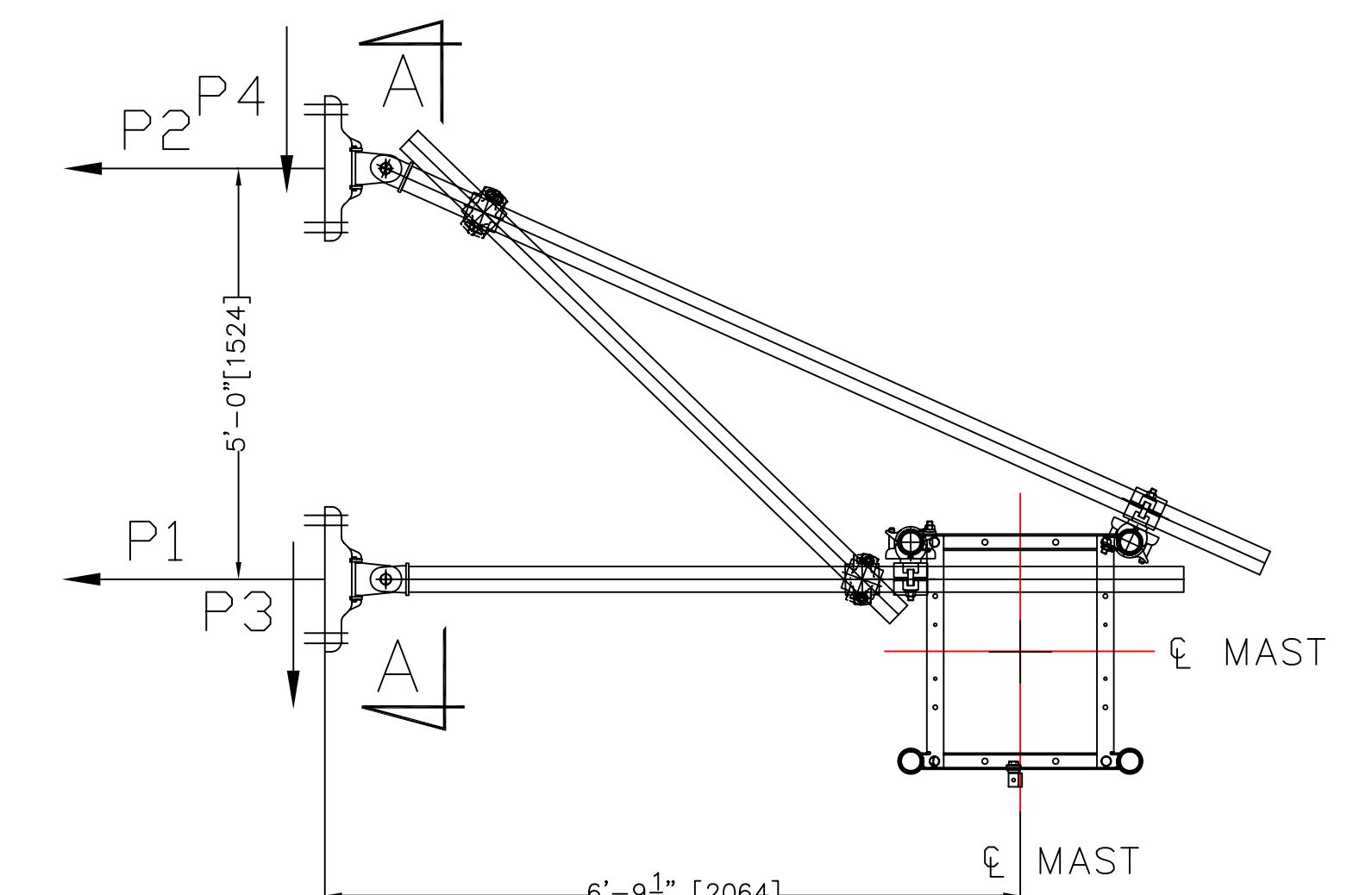


FOUNDATION PLAN VIEW

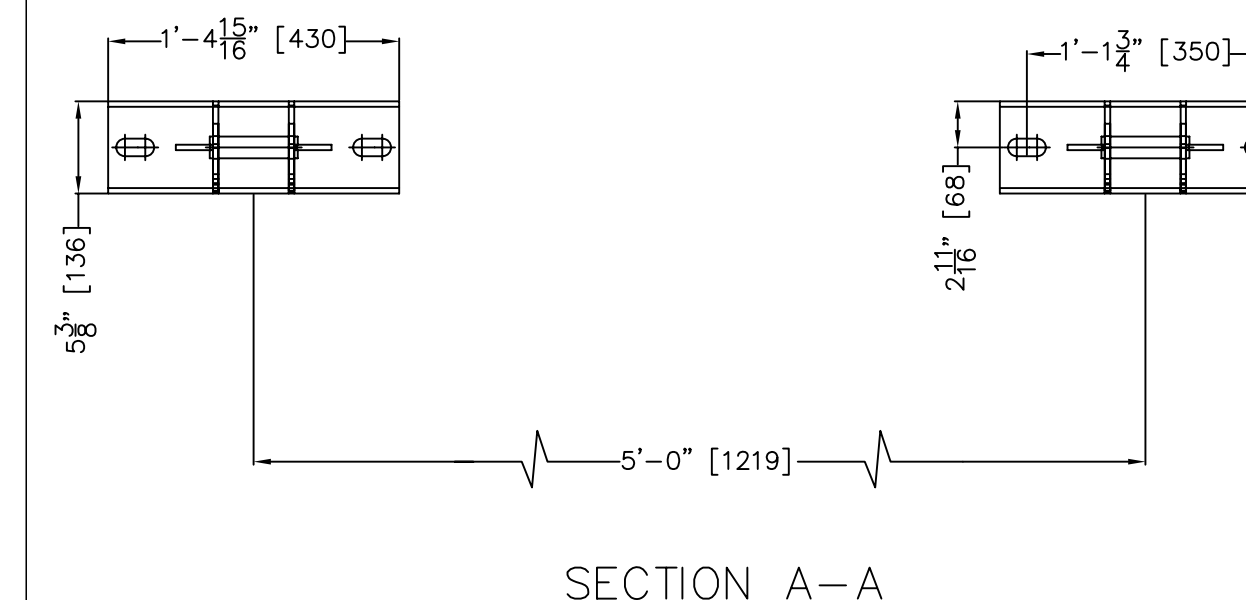


FOUNDATION SIDE VIEW

NOTE: VALID FOR MAST HEIGHTS UP TO 500'



TYPE S1A TIE DETAIL



SECTION A-A

P1 = 9649 LBF  
P2 = 9649 LBF  
P3 = 5917 LBF  
P4 = 5917 LBF  
LOAD ON BASE INCLUDING 100% IMPACT  
P5 = 31597 LBF

MACHINE TECHNICAL DATA SPECS

MACHINE TYPE	ALIMAK SCANDO 650 C52/39
CONFIGURATION	SINGLE
LENGTH	12'-9 9/16"
MAST HEIGHT	170'-0"
CAPACITY	7100 LBS / CAR
RATED SPEED	175 FT/MIN
MOTORPACK TYPE	VFC
NUMBER OF MOTORS	3 x 11kW
POWER SUPPLY REQUIREMENTS (PER CAR)	
VOLTAGE	480V, 3 PHASE
BREAKER SIZE	100A
FREQUENCY	60 HZ
STARTING CURRENT	91A
POWER CONSUMPTION	66 kVA

COMPONENT WEIGHTS

BASE ENCLOSURE (W/ COMPLETE CAR)	7605 LBS
CAR WITH DOORS	3329 LBS
MOTORPACK (VFC)	1965 LBS
MAST SECTION (SINGLE)	254 LBS

PROJECT NOTES

- IMPORTANT
- TIE IN LOADS SHOWN WERE CALCULATED BASED ON WIND CODE ASCE 7-02, EXPOSURE C, MAXIMUM IN SERVICE WIND SPEED OF 40 MPH AND MAXIMUM OUT OF SERVICE WIND SPEED OF 100 MPH. TIE IN LOADS SHOWN WERE CALCULATED BASED ON ASCE 7-95 ZONE 0 SEISMIC ACTIVITY.
  - CONCRETE EXPANSION ANCHORS THAT FAIL TO MEET THE REQUIREMENTS OF EITHER MINIMUM EMBEDMENT OR SET TENSILING SHALL BE REMOVED AND NEW ANCHORS INSTALLED HAVING A DEEPER EMBEDMENT OR LARGER DIAMETER WHERE POSSIBLE.
  - ABANDONED EXPANSION BOLT HOLES ARE TO BE FILLED WITH 5000 PSI NON-SHRINK GROUT.
  - ALL MAST BOLTS AND HARDWARE SCREWS TO HAVE LOCKWASHERS.
  - ERECTOR NOTE - ON SITE CONDITIONS SHALL GOVERN VARIATIONS TO BE REPORTED TO ALIMAK HEK PRIOR TO CONTINUATION OF WORK.
  - ERECTOR TO MAKE USE OF PLUMB BOBS, DROP LINES, LASERS, SPIRIT LEVELS AND SIMILAR TOOLS TO INSURE DIMENSIONAL ACCURACY.
  - MODIFICATIONS OF FURNISHED MAST TIE INS NOT ALLOWED WITHOUT PRIOR APPROVAL OF ALIMAK HEK.
  - ADEQUATE FOUNDATION TO SUPPORT FOOTPRINT AS SHOWN IN PLAN AT BOTTOM LANDING. SEE DATA ON THIS DRAWING FOR FOUNDATION FORCES.
  - ADEQUATE SUPPORT FOR GUIDEMAST FASTENING PER TIE IN SCHEDULE. SEE DATA ON DRAWING FOR GUIDEMAST FORCES.
  - ENGINEER OF RECORD TO VERIFY STRUCTURE CAN TAKE TIE-IN FORCES.



ALIMAK HEK INC.  
CONSTRUCTION DIVISION  
3745 CHEROKEE ST. - SUITE 605 - KENNESAW, GA 30144  
TELEPHONE (770) 424-3232 TELEFAX (770) 424-4647

REV	REVISION REMARKS	DATE
A	FIRST DRAWING	3/8/06
-	-	-
-	-	-

ALIMAK SCANDO 650 SINGLE C52/39

JOB NAME  
GENERAL LAYOUT

JOB LOCATION

CUSTOMER NAME

DRAWN BY GEJ DATE 3/8/06 SCALE NONE REV A

CHECKED BY GEJ PAGE 1 OF 1 DWG NO. 2006127